

Project	Quantity	Item #
Model Specified:		CSI Section 11400

Compact Prep Table Refrigerators/ Self-Contained



Model UPT276-R
(shown with optional casters)

27" Wide Models



Stainless Exterior,
Anodized
Aluminum Interior

27" Wide 6 Pan Model Hinged Left	UPT276-L
27" Wide 6 Pan Model Hinged Right	UPT276-R
27" Wide 9 Pan Model Hinged Left	UPT279-L
27" Wide 9 Pan Model Hinged Right	UPT279-R

Finally there is a compact prep table product worthy of the Traulsen name. Their rugged construction and high quality components make these units capable of standing up to the demanding environment of any foodservice kitchen. Each unit is built with a high quality stainless steel exterior and durable anodized aluminum interior.

They are also designed for high performance, providing accurate temperature maintenance within NSF Standard 7 guidelines. Fresh, safe food is assured, even under the most demanding conditions.

Their front breathing design allows for "zero-clearance" installation. As a result they can be placed right up against the backwall and alongside other kitchen equipment, saving valuable floor space. Additionally, they are supplied with top cut-outs in order to accommodate sixth size food pans. A full compliment of 4" deep sixth size plastic pans is provided.

Standard Product Features

- Stainless Steel Exterior Top, Sides & Door
- Anodized Aluminum Interior
- Front Breathing Self-Contained Refrigeration System
- Environmentally Friendly R-134a Refrigerant
- Top Cut-Outs To Accommodate 1/6 Size Pans
- Full Compliment Of Plastic 1/6 Size Pans Provided
- Removable Stainless Steel Insulated Pan Cover & Pivoting Front Lid
- Reversible Full Length Nylon Cutting Board
- Self-Closing Stainless Steel Door With Stay Open Feature At 105 Degrees
- Horizontal Work Flow Door Handle
- Anodized Aluminum Interior Door Liner
- Interior Mounted Thermometer
- Two (2) Powder Coated Shelves, Mounted On Pilasters
- Automatic Non-Electric Condensate Evaporator
- Magnetic Snap-In Door Gasket
- 8' Cord & Plug Attached
- Set of Four (4) 6" High Adjustable Legs
- One Year Parts And Labor Warranty
- Five Year Compressor Warranty

Options & Accessories

- Stainless Steel Finished Back
- Additional Powder Coated Shelves
- 6" Overall Height Casters (for use in lieu of legs)
- 4" Overall Height Casters (for use in lieu of legs)
- 3-1/2" Overall Height Casters (for use in lieu of legs)
- 2-1/2" Overall Height Casters (for use in lieu of legs)
- Two Year Service/Labor Warranty Available



Listed by Underwriters Laboratories Inc., to U.S. and Canadian safety standards and and NSF International in accordance with ANSI/NSF7.

Approval: _____



TRAULSEN
4401 BLUE MOUND RD.
PHONE 1 (800) 825-8220
Website: www.traulsen.com

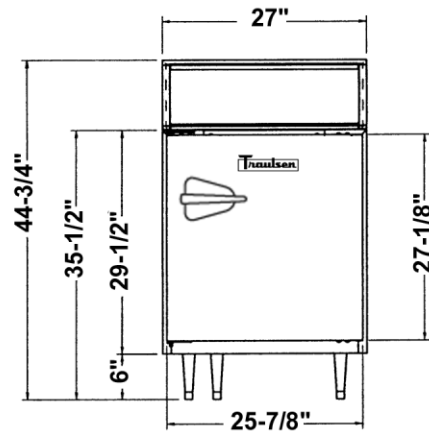
FT. WORTH, TX 76106
FAX-MKTG. 1 (817) 624-4302

SECTION
9-3

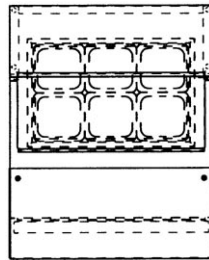
Project	Quantity	Item #
Model Specified:		CSI Section 11400

Model UPT276

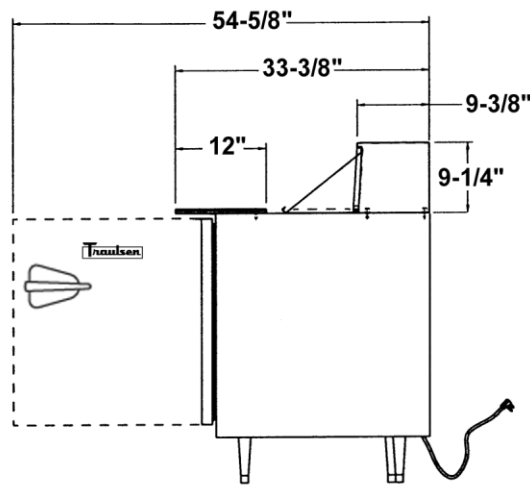
Six (6) Sixth Size Pan Capacity
 Compact Undercounter
 Refrigerator Model
 (six 4" deep sixth size plastic pans provided)



Elevation - UPT276



Plan - UPT276

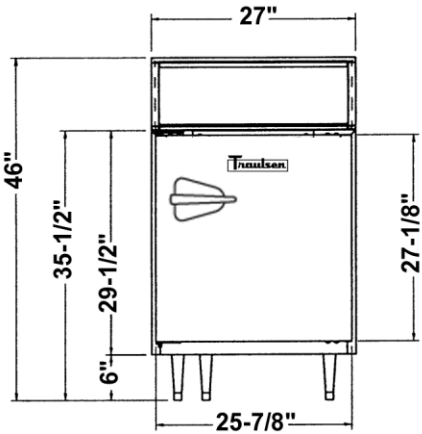


Section - UPT276

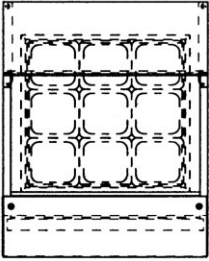
Project	Quantity	Item #
Model Specified:		CSI Section 11400

Model UPT279

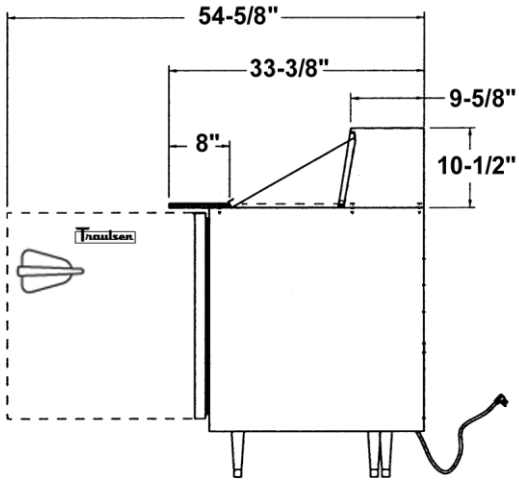
Nine (9) Sixth Size Pan Capacity
 Compact Undercounter
 Refrigerator Model
 (nine 4" deep sixth size plastic pans provided)



Elevation - UPT279



Plan - UPT279



Section - UPT279



TRAULSEN
 4401 BLUE MOUND RD.
 PHONE 1 (800) 825-8220
 Website: www.traulsen.com

FT. WORTH, TX 76106
 FAX-MKTG. 1 (817) 624-4302

SECTION
 9-3

Project	Quantity	Item #
Model Specified:		CSI Section 11400

Specifications

Construction, Hardware and Insulation

Cabinet exterior front, one piece sides, and doors are constructed of 22 gauge stainless steel. Cabinet interior and door liners are constructed of anodized aluminum. The exterior cabinet back and bottom are constructed of galvanized steel.

A stainless steel door with a recessed work-flow handle and anodized aluminum liner is provided. The door self closes at less than 90 degrees and also includes a stay open feature at 105 degrees. Easily removable for cleaning, vinyl magnetic door gasket assures tight door seal.

Both the cabinet and door(s) are insulated with an average of 2" thick high density, non-CFC, foamed in place polyurethane.

A full length reversible nylon cutting board, 12" wide (for model UPT276) or 8" wide (for model UPT279) is supplied standard.

Pans & Cover

Each model is supplied standard with its full compliment of 4" deep plastic 1/6 size pans and stainless steel pan dividers. The insulated pivoting pan cover is constructed of stainless steel, and is removable for cleaning.

Refrigeration System

A balanced, rear mounted, front breathing, self-contained refrigeration system using R-134a refrigerant is provided. It features a capillary tube metering device, air-cooled hermetic compressor, a forced air evaporator coil and a non-electric condensate evaporator. An 8' cord and plug is provided. Standard operating temperature is 34 to 38°F.

Interior

Standard interior arrangements include two (2) powder coated wire shelves per door, mounted on pilasters. These are adjustable in 1/2" increments, allowing for a minimum of 1-1/2" spacing between shelves.

Warranties

Both a one year parts and labor warranty and a five year compressor warranty (self-contained models only) are provided standard. An optional 2nd year extended parts and labor warranty is also available.

DIMENSIONAL DATA	UPT276	UPT279
Net capacity cu. ft.	7.1	7.1
Length - overall in.	27	27
Depth - overall in. ¹	33 ³ / ₈	33 ³ / ₈
Depth - with door open 90°	54 ⁵ / ₈	54 ⁵ / ₈
Clear door height in.	24 ¹ / ₈	24 ¹ / ₈
Clear door width in.	22 ³ / ₄	22 ³ / ₄
Height - overall on 6" legs in.	44 ³ / ₄	46
Number of shelves - total	2	2
Shelf area sq. ft.	4.88	4.88
Pan Capacity - 1/6 Size	6	9
ELECTRICAL DATA		
Voltage	115/60/1	115/60/1
Full Load Amperes	4.5	4.5
Wattage	345	345
REFRIGERATION DATA		
Refrigerant	R-134a	R-134a
BTU/HR - H.P. ²	1020 (1/8 HP)	1020 (1/8 HP)
SHIPPING DATA		
Length - Crated in.	44	44
Depth - Crated in.	44 ¹ / ₄	44 ¹ / ₄
Height - Crated in.	46 ³ / ₄	46 ³ / ₄
Volume - Crated cu. ft.	53	53
Net Wt. lbs.	270	270
Gross Wt. lbs.	280	280

NOTES

- 1= Overall depth figure includes standard cutting board.
- 2= Based on a 90 degree F ambient and 20 degree F evaporator.



Equipped With One NEMA 5-15 P Plug

NOTE: When ordering please specify: Voltage, Hinging, Optional Accessories and any additional warranties.

Continued product development may necessitate specification changes without notice.
Part No. TR35821 (revised 1/07)